



## WELDABLE MEMBRANE VENTS

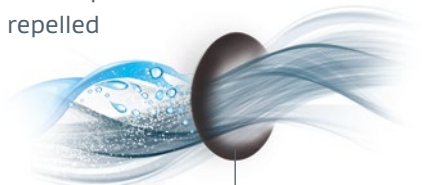
Durable ePTFE weldable membrane vent packaged specifically for automated installation.

### Venting Solutions for Welding Applications

Welding Series GORE® Protective Vents are engineered to provide durable oleophobic protection where a welded vent solution is preferred. Welded solutions are typically used in very high quantity applications where space is limited and a high IP rating is required or where shock and vibration requirements are high. Welded vents can only be used with enclosures constructed of polymer materials.

### GORE® Protective Vents equalize pressure while protecting sensitive electronics

Liquid and particles are repelled



Gas molecules pass through the membrane

GORE Membrane

### Benefits of GORE® Protective Vents:

- **Rapid equalization of pressure** to reduce stress on enclosure seals
- **Reduced condensation** by allowing air exchange
- **Reliable hydrophobic and oleophobic membranes** to protect sensitive electronics from water, salts and other corrosive liquids
- **Quick venting recovery** after liquid immersion
- **Convenient one-up packaging design** for automated installation
- **Low profile** that is ideal for enclosures with limited spaces
- **Outstanding technical expertise** from Gore's engineering organization, currently supporting over 200 million installations worldwide

## Product Information

### Material Performance

Part number	VC70008-1	VE0001SLR	VE0003AML
IP rating (IEC 529, 2nd) <sup>1</sup>		IP65, IP66, IP67, IP68 <sup>2</sup>	
Water entry pressure		> 0.6 bar for 60 seconds	
Typical airflow ( $\Delta p = 70$ mbar) <sup>3</sup>	100 ml/min	185 ml/min	270 ml/min
UL-rating/flammability		UL94-V0	
UV-resistance (in accordance to UL746C)		UL f2	

1 IP ratings are housing design dependent (tested with VE70919)

2 Extended immersion testing; 2 meter for 1 hour (tested with VE70919)

3 Values adjusted for the loss of 1 mm for the welding area

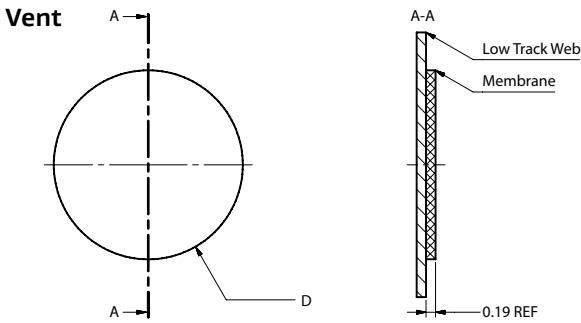
# Product Information

## Product Characteristics

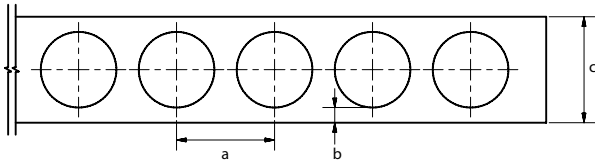
	VC70008-1	VE0001SLR	VE0003AML
Membrane type	All ePTFE		
Membrane characteristics	Hydrophobic & oleophobic		
Membrane color	Black		
Size	∅ 7.6 mm	∅ 10.0 mm	∅ 11.9 mm
Installations methods	Heat seal, ultrasonic weld		
Part quantity (pieces per roll)	5000 pcs	10000 pcs	5000 pcs

## Design & Dimensions

Dimensions in mm				
VC70008-1	D = ∅ 7.6 ± 0.20	a = 10.72	b = 3.00	c = 13.60
VE0001SLR	D = ∅ 10.0 ± 0.20	a = 12.96	b = 2.00	c = 14.00
VE0003AML	D = ∅ 11.9 ± 0.20	a = 14.82	b = 2.50	c = 16.90



## Web



## Salt Spray Test

### METHODS:

- **DIN 50021-SS: 1988-06** (7 day test)<sup>4</sup>
- **GR-487-CORE, Sect. 3.34.1, Req. R3-203** in accordance with ASTM B117 (30 day test)<sup>4</sup>

## Temperature Resistance

- 40 °C to 125 °C

<sup>4</sup> No penetration of salt crystals through the membrane into the housing (tested with VE70919)

## RoHS Information

Product Stewardship RoHS Status: W. L. Gore & Associates declares that we do not intentionally add substances listed in RoHS Directive 2011/65/EU in its current valid version including all valid amendments to GORE® Protective Vents.

### FOR INDUSTRIAL USE ONLY. Not for use in food, drug, cosmetic or medical device manufacturing, processing, or packaging operations.

GORE® Protective Vent(s) are manufactured under the generic industrial ISO 9001 quality system. No other certifications can be provided by Gore for this GORE® Protective Vent. All technical information given is based on Gore's previous experiences and/or test results. Gore gives this information to the best of its knowledge, but assumes no legal responsibility. Customers are asked to check the suitability and usability in the specific application, since the performance of the product can only be judged when all necessary operating data are available. The above information is subject to change and is not to be used for specification purposes. Gore's terms and conditions of sale apply to the sale of the products by Gore.

GORE, *Together, improving life* and designs are trademarks of W. L. Gore & Associates. © 2020 W. L. Gore & Associates, Inc.

### W. L. Gore & Associates, Inc.

401 Airport Road, Elkton, MD 21921, USA

US Toll free +1 800 637 4449 T +1 410 392 4440 F +1 410 506 8831 E protectivevents@wlgore.com

gore.com/protectivevents

